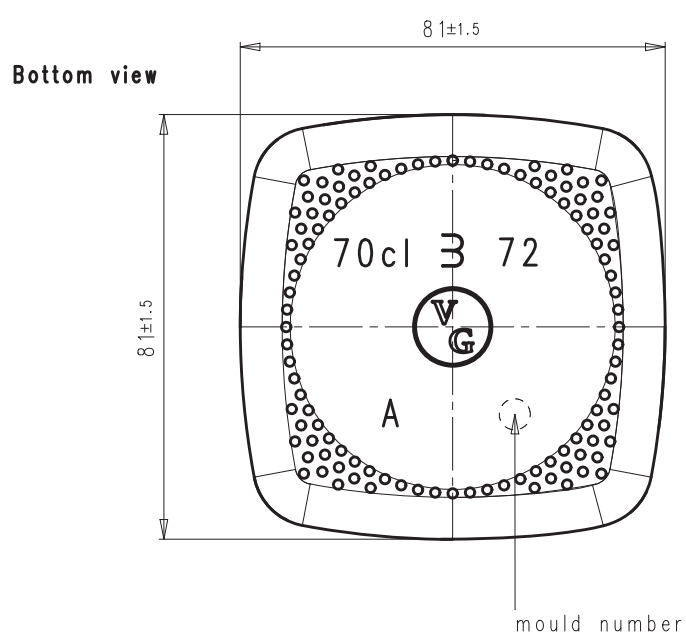
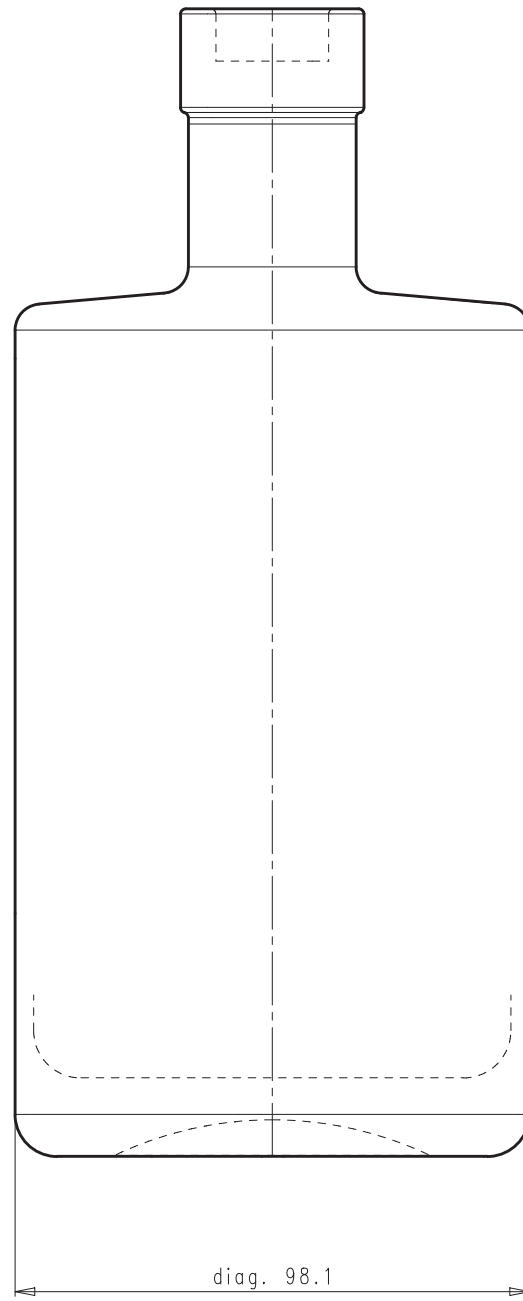
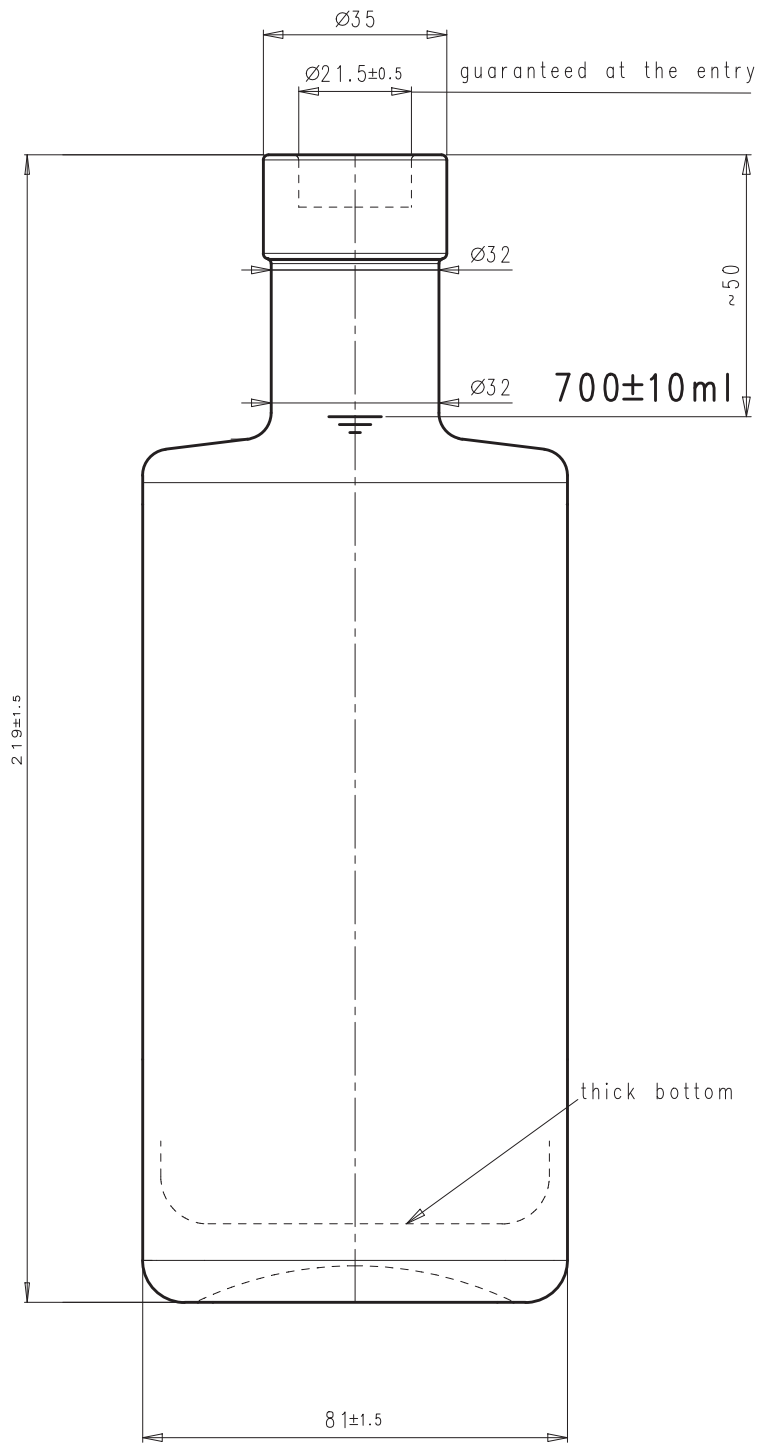
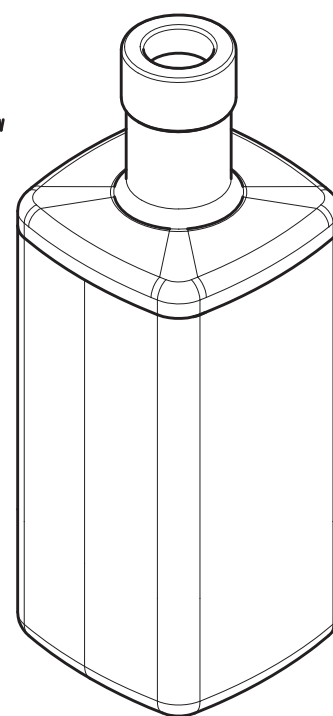


Minimum through hole $\varnothing 18\text{mm}$.



3D view



Please note that Velvet Glass is owner of all rights of industrial and intellectual property (copyright, design, trademark, drawings and other) relevant, relative and / or to the present bottles, as acknowledged by the buyer to waive any right or claim of ownership of the nature of those cited above in relation to these bottles.



scale 1:1

VELVET GLASS

weight: 750g.

BOTTIGLIA SMOOTH

brimfull capacity:
720 +/- 10 ml

tolerance for serie is +/- 15mm attention for levelness bottom

Maximum allowed deviation from vertical axis 2.5mm.

* Remark: Tolerance for production is 1.5mm.
Pay attention on bottom sloping.